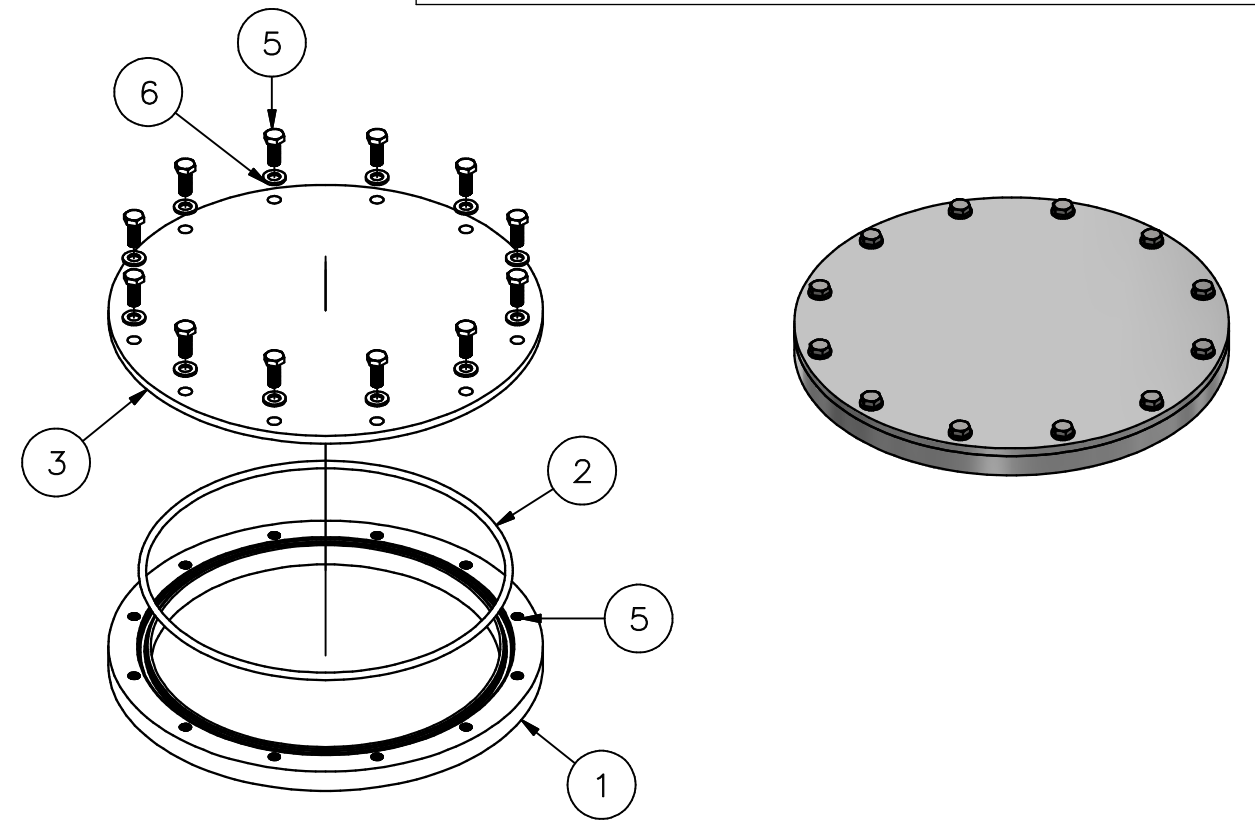


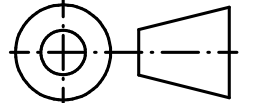
This drawing and design is protected by copyright and the information is confidential. It is also protected and registered under Dutch laws through the Dutch government department for taxes. The drawing and/or models may not to copied, reproduced, duplicated or disclosed to others, in whole or in part without prior written consent of Rob Snel B.V./the Netherlands



3D-IMPRESSION - EXPLODED VIEW

POS	QTY	TITLE	MATERIAL	DIMENSION	DWG NR
6	12	WASHER RVS DIN125 M12	Stainless Steel	Washer	12.SS.920.12
5	12	Helicoils M12x24	Stainless Steel	M12x24	
4	12	Hex-Head Bolt	Stainless Steel	DIN 933 - M12 x 30	
3	1	Manhole Cover	Aluminium	ø460x10	
2	1	Seal NBR 70gr Shore A	Nitril	ø8	
1	1	Manhole Ring	Aluminium	ø460xø370x25	

REV.	REV. DATE:	REVISION SUBJECT
C		
B		
A		

Date:	4-7-2023	 Rob Snel TECHNISCHE GROOTHANDEL	Rob Snel Technische Groothandel Industrieweg 39 3361 HJ Sliedrecht T +31 (0)184 43 30 30 F +31 (0)184 43 30 31 E s.snel@robsnel.nl I www.robsnel.nl	Art.nr:
Drawn:	Hans Baars			Projection type:
Scale:	1:5 1:3			
Status:	Pending			
Cust.:				
Project:				

Title: Aluminium Handhole C/O ø350 - Type T - 12 Bolts

Mat:	Dwg.nr:	Revision:	Sheet:	Format:
	52.AL.524.03		1	A3