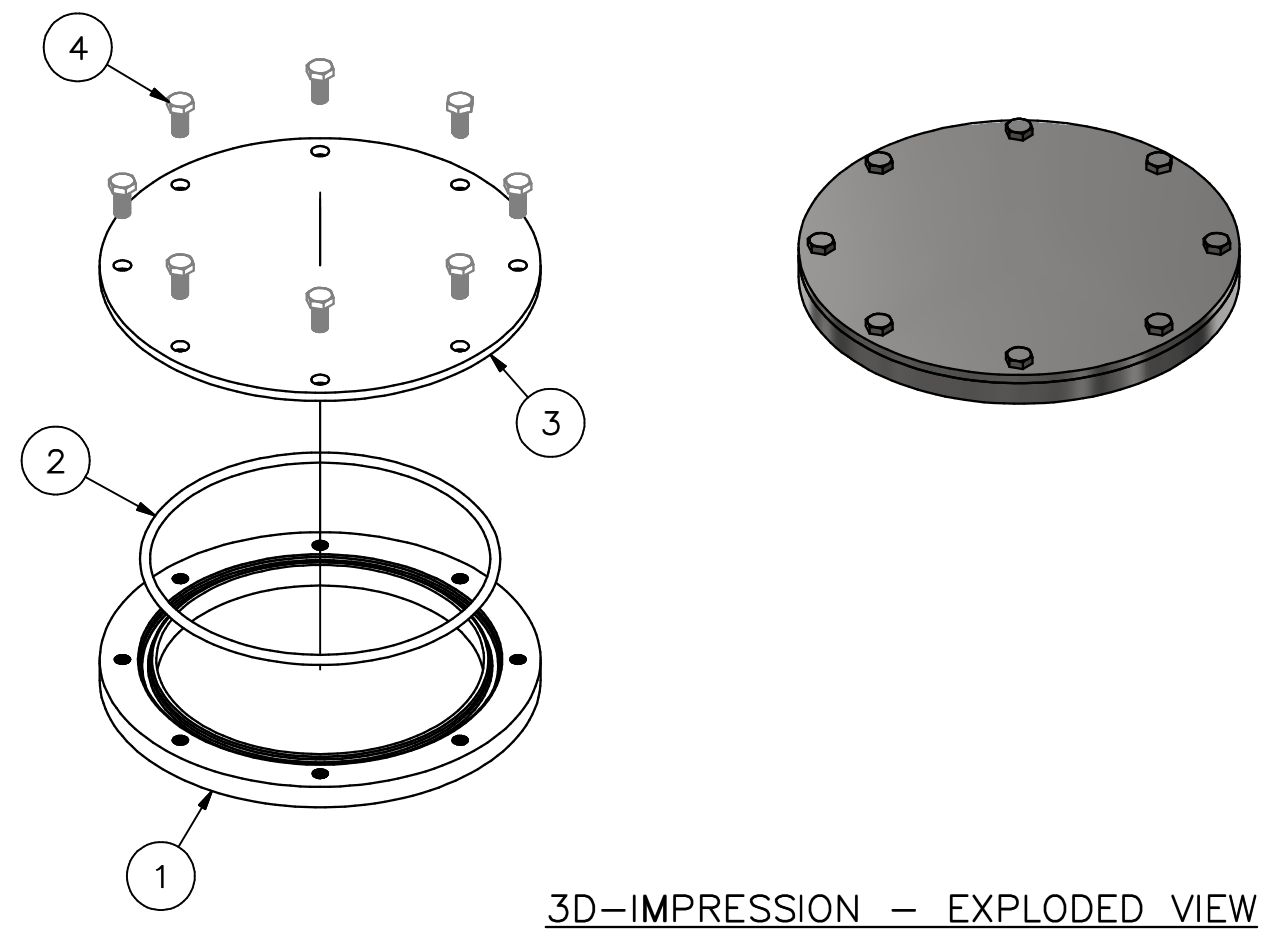



This drawing and design is protected by copyright and the information is confidential. It is also protected and registered under Dutch laws through the Dutch government department for taxes. The drawing and/or models may not to copied, reproduced, duplicated or disclosed to others, in whole or in part without prior written consent of Rob Snel B.V./the Netherlands



POS	QTY	TITLE	MATERIAL	DIMENSION	DWG NR
4	8	Hex-Head Bolt	Stainless Steel	DIN 933 - M12 x 25	53.SS.530.02
3	1	Manhole Cover	Stainless Steel	ø460x10	53.SS.530.02
2	1	Seal NBR 70gr Shore A	Nitril	ø8	53.SS.530.02
1	1	Manhole Ring	Stainless Steel	ø350xø260x20	53.SS.530.02

C		
B		
A		

Rev.: REV. DATE: REVISION SUBJECT

Date:	28-6-2023	 <p>Rob Snel TECHNISCHE GROOTHANDEL</p>	Rob Snel Technische Groothandel Industrieweg 39 3361 HJ Sliedrecht T +31 (0)184 43 30 30 F +31 (0)184 43 30 31 E s.snel@robsnel.nl I www.robsnel.nl	Art.nr:
Drawn:	HB			Projection type:
Scale:	1:3			
Status:	Pending			
Cust.:				
Project:				

Title: **Stainless Steel Handhole C/O ø260 - Type S - 8 Bolts**

Mat:	Dwg.nr:	Revision:	Sheet:	Format:
	53.SS.530.02		1	A3