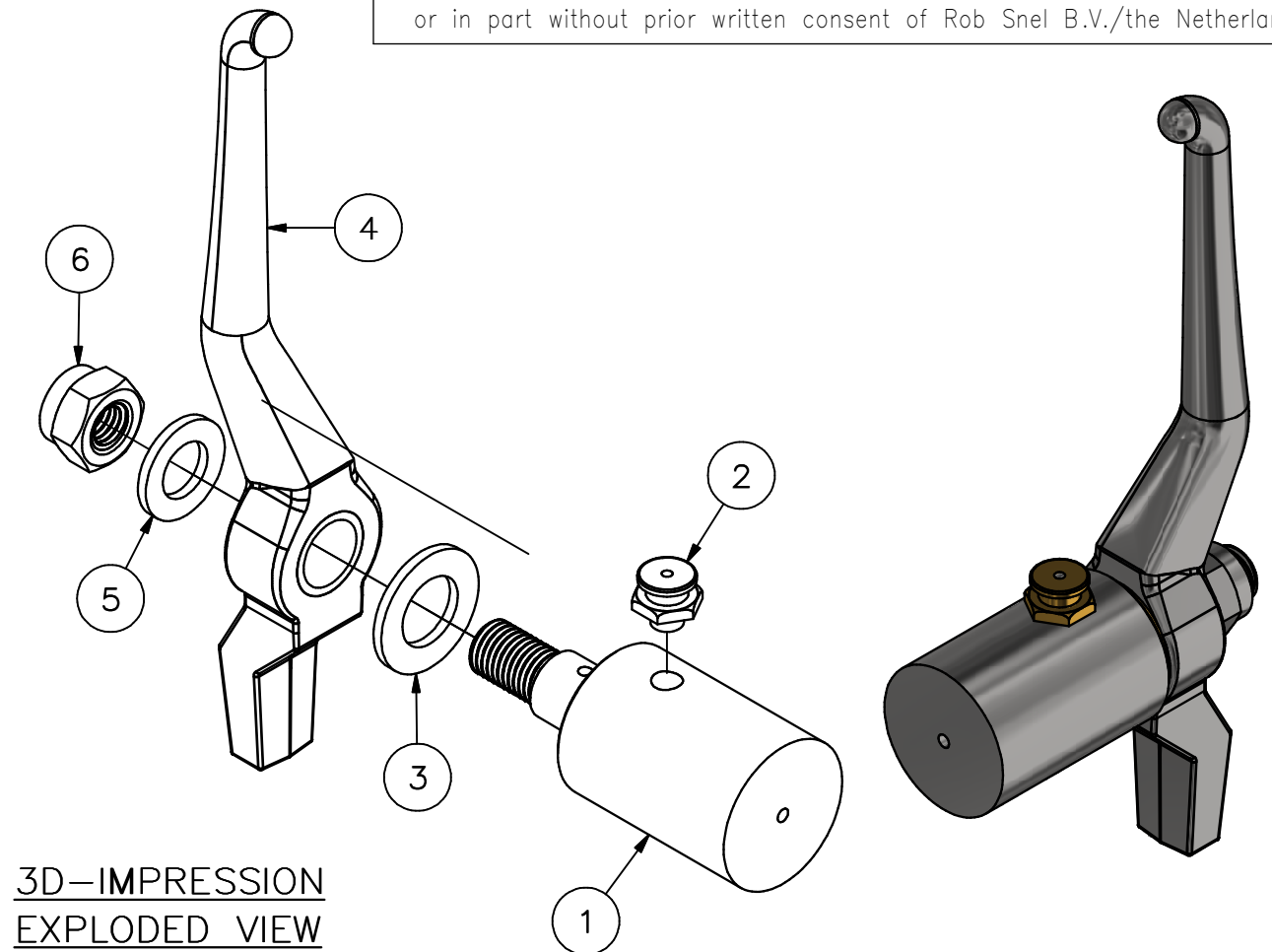


This drawing and design is protected by copyright and the information is confidential. It is also protected and registered under Dutch laws through the Dutch government department for taxes. The drawing and/or models may not be copied, reproduced, duplicated or disclosed to others, in whole or in part without prior written consent of Rob Snel B.V./the Netherlands



3D-IMPRESSON
EXPLODED VIEW

POS	QTY	TITLE	MATERIAL	DIMENSION	DWG NR
6	1	Selflocking nut	Stainless Steel	DIN 985 - M16	16.SS.912.13
5	1	Washer M16	Stainless Steel	DIN 125 - A M16	16.SS.920.13
4	1	Handle + brass bush	Stainless Steel		67.SS.426.52
3	1	Washer	Brass	M20	20.BR.920.34
2	1	Lubrication nipple	Brass	1/8 BSP	80.BR.412.01
1	1	Outside bush	Stainless Steel		67.SS.426.55

Rev.:	REV. DATE:	REVISION SUBJECT
C		
B		
A		

Date:	3-4-2022	 <p>Rob Snel TECHNISCHE GROOTHANDEL</p>	Rob Snel Technische Groothandel Industrieweg 39 3361 HJ Sliedrecht T +31 (0)184 43 30 30 F +31 (0)184 43 30 31 E s.snel@robsnel.nl I www.robsnel.nl	Art.nr:
Drawn:	Hans Baars			Projection type:
Scale:	1:2			
Status:	Pending			
Cust.:				
Project:				

Title: **DOORTOGGLE STAINLESS STEEL**

Mat:	Dwg.nr:	Revision:	Sheet:	Format:
	67.SS.426.50		1	A3