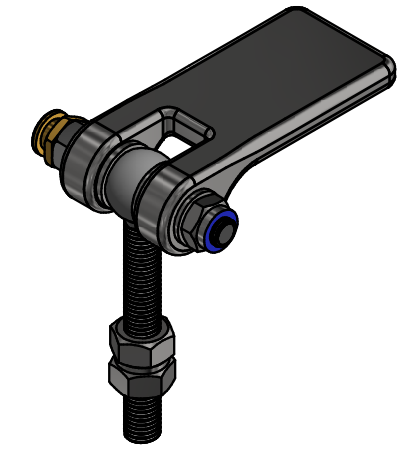
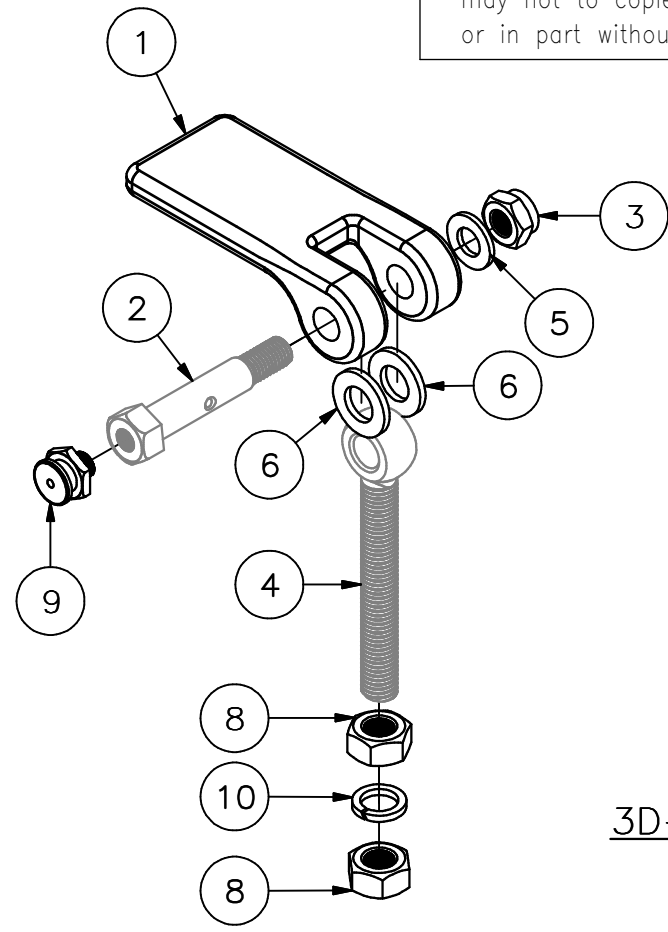


This drawing and design is protected by copyright and the information is confidential. It is also protected and registered under Dutch laws through the Dutch government department for taxes. The drawing and/or models may not to copied, reproduced, duplicated or disclosed to others, in whole or in part without prior written consent of Rob Snel B.V./the Netherlands



3D-IMPRESSION - EXPLODED VIEW

POS	QTY	TITLE	MATERIAL	DIMENSION	DWG NR
9	1	Grease nipple	Messing	1/8 BSP	80.BR.412.01
8	2	HEX NUT M12	Steel, Mild	DIN 934 - M12	12.SS.910.12
7	1	Spring Washer M12	Stainless Steel	M12	12.SS.922.12
6	2	Washer M12	Stainless Steel	M12	12.SS.920.12
5	1	Washer M10	Stainless Steel	M10	10.SS.920.11
4	1	EYE BOLT M12x100 STAINLESS STEEL	Stainless Steel	M12	12.SS.310.20
3	1	LOCK NUT DIN985	Stainless Steel	DIN 958 - M10	10.SS.912.11
2	1	BOLTSPINDLE M10 STAINLESS STEEL	Stainless Steel	L:103mm	12.SS.310.04
1	1	Stainless Steel HINGE	Stainless Steel	121.5x70,5	12.SS.307.01

C		
B		
A		

Rev.: REV. DATE: REVISION SUBJECT

Date:	2-6-2022	 <p>Rob Snel Technische Groothandel Industrieweg 39 3361 HJ Sliedrecht</p> <p>T +31 (0)184 43 30 30 F +31 (0)184 43 30 31 E s.snel@robsnel.nl I www.robsnel.nl</p>	Art.nr:
Drawn:	Hans Baars		Projection type:
Scale:	1:1,5		
Status:	Pending		
Cust.:			
Project:			

Title: Assembly M12 Hinges set

Mat:	Dwg.nr:	Revision:	Sheet:	Format:
	12.SS.370.53		1	A3