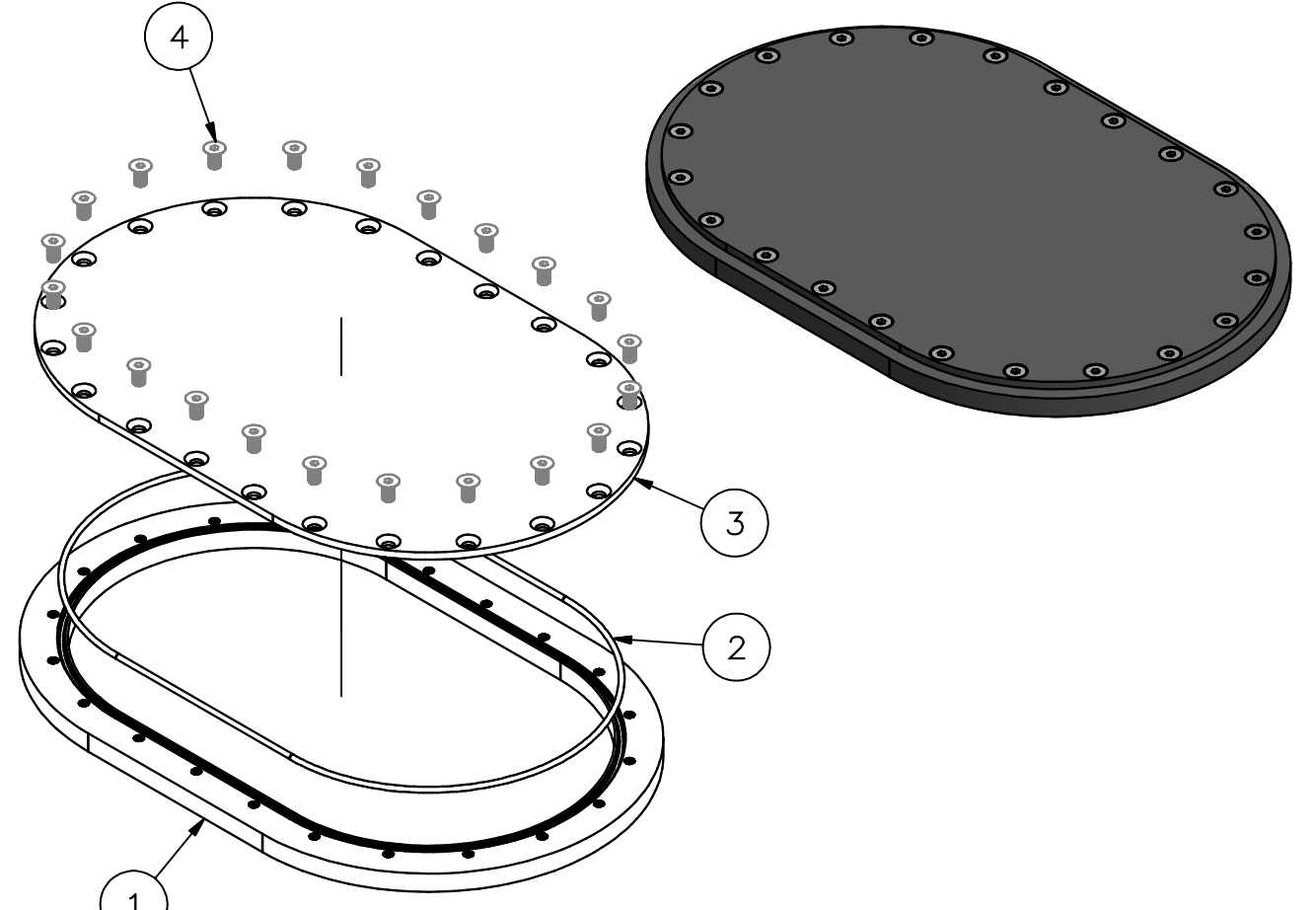
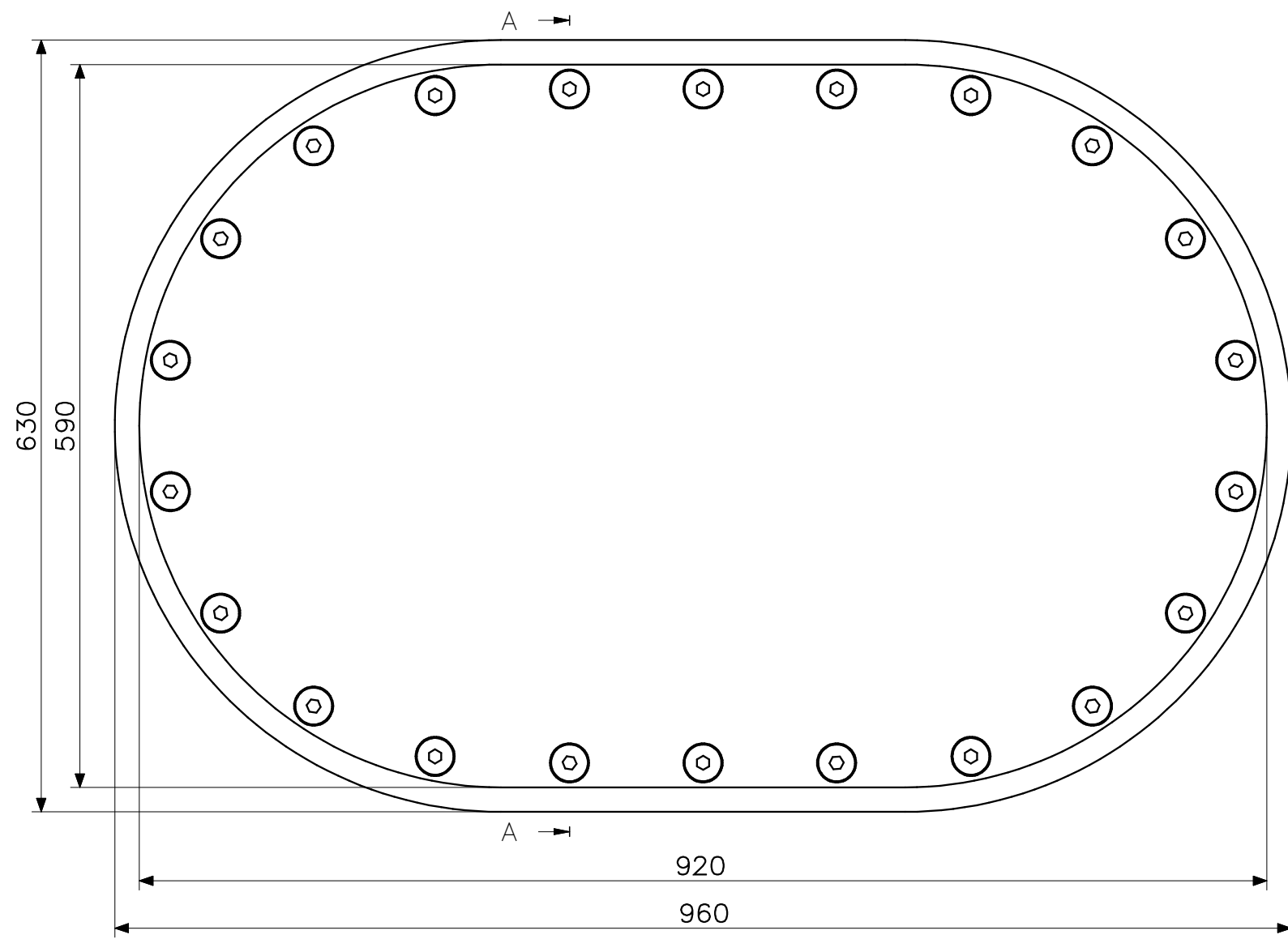


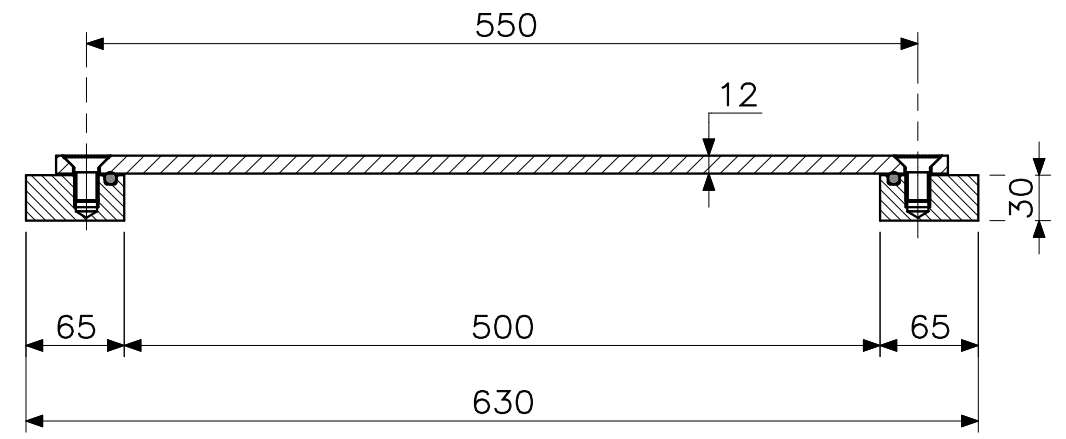
This drawing and design is protected by copyright and the information is confidential. It is also protected and registered under Dutch laws through the Dutch government department for taxes. The drawing and/or models may not to copied, reproduced, duplicated or disclosed to others, in whole or in part without prior written consent of Rob Snel B.V./the Netherlands


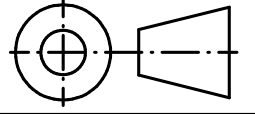
TOP-VIEW



3D-IMPRESSIION – EXPLODED VIEW

SECTION A-A



4	22	Hexagon socket countersunk head	Steel 8.8	DIN 7991 - M16x30	
3	1	Manhole Cover	Q235B	920x590	
2	1	Seal	Nitril	70 Shore A	
1	1	Manhole Ring	Q235B	960x630	
POS	QTY	TITLE	MATERIAL	DIMENSION	DWG NR
C					
B					
A					
Rev.:		REV. DATE:	REVISION SUBJECT		
Date:	25-2-2022		 Rob Snel TECHNISCHE GROOTHANDEL Rob Snel Technische Groothandel Industrieweg 39 3361 HJ Sliedrecht T +31 (0)184 43 30 30 F +31 (0)184 43 30 31 E s.snel@robsnel.nl I www.robsnel.nl		Art.nr:
Drawn:	Hans Baars				Projection type:
Scale:	1:5 1:3				
Status:	Pending				
Cust.:					
Project:					
Title: Steel Manhole C/O 830x500 - Type F-Oval					
Mat:	Dwg.nr: 51.ST.511.08		Revision:	Sheet: 1	Format: A3