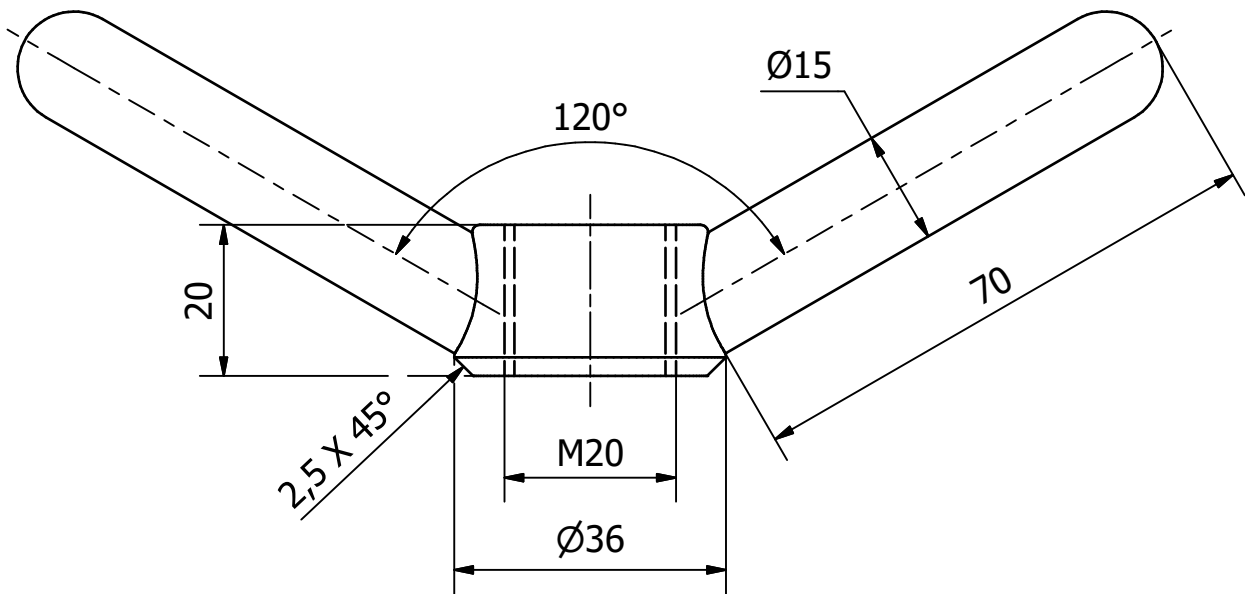
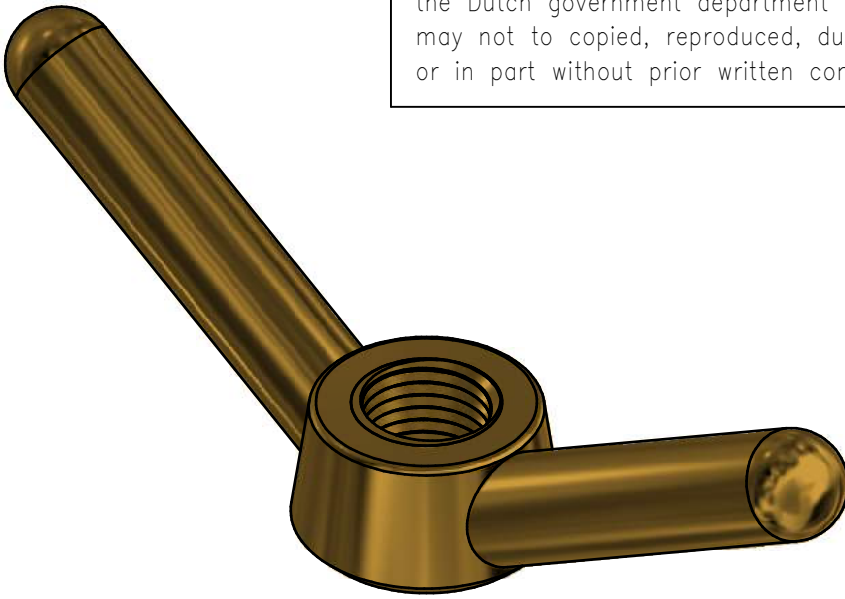
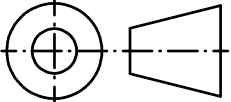


This drawing and design is protected by copyright and the information is confidential. It is also protected and registered under Dutch laws through the Dutch government department for taxes. The drawing and/or models may not to copied, reproduced, duplicated or disclosed to others, in whole or in part without prior written consent of Rob Snel B.V./the Netherlands



C									
B									
A									
Rev.:	REV. DATE:	REVISION SUBJECT							
Date:	10-9-2021	 <b>Rob Snel</b> TECHNISCHE GROOTHANDEL					Art.nr:		
Drawn:	HB						Projection type:		
Scale:	1:1								
Status:	Pending						T +31 (0)184 43 30 30 F +31 (0)184 43 30 31 E <a href="mailto:s.snel@robsnel.nl">s.snel@robsnel.nl</a> I <a href="http://www.robsnel.nl">www.robsnel.nl</a>		
Cust.:									
Project:									
Title:		<b>BUTTERFLY TOGGLE M20 MESSING</b>							
Mat:	Dwg.nr:	20.BR.220.14	Revision:	0	Sheet:	1	Format:	A4	