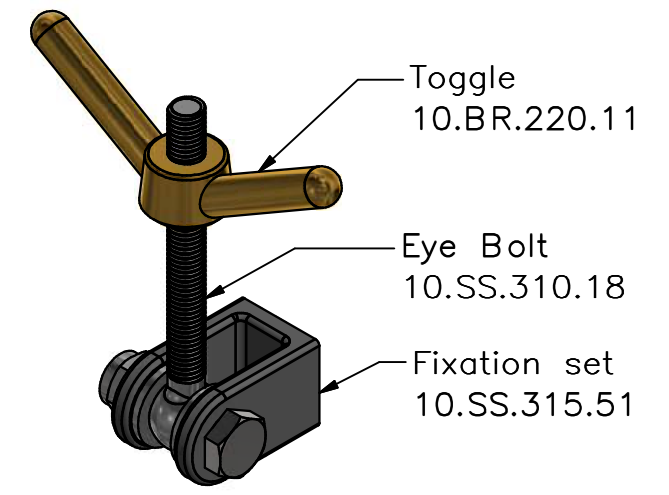
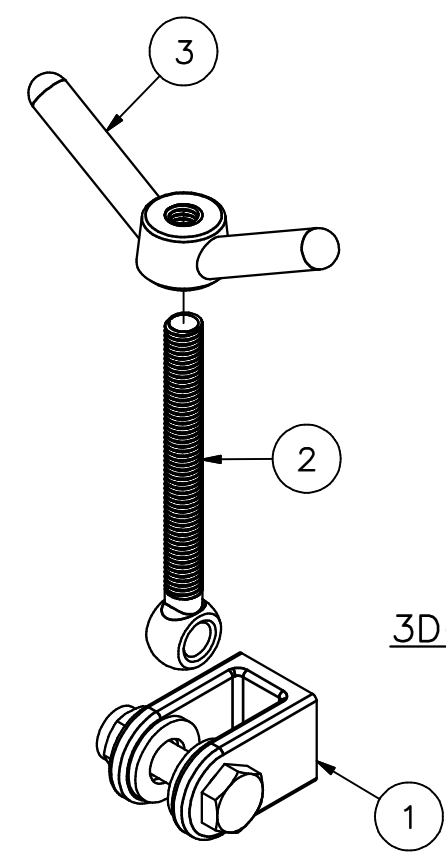
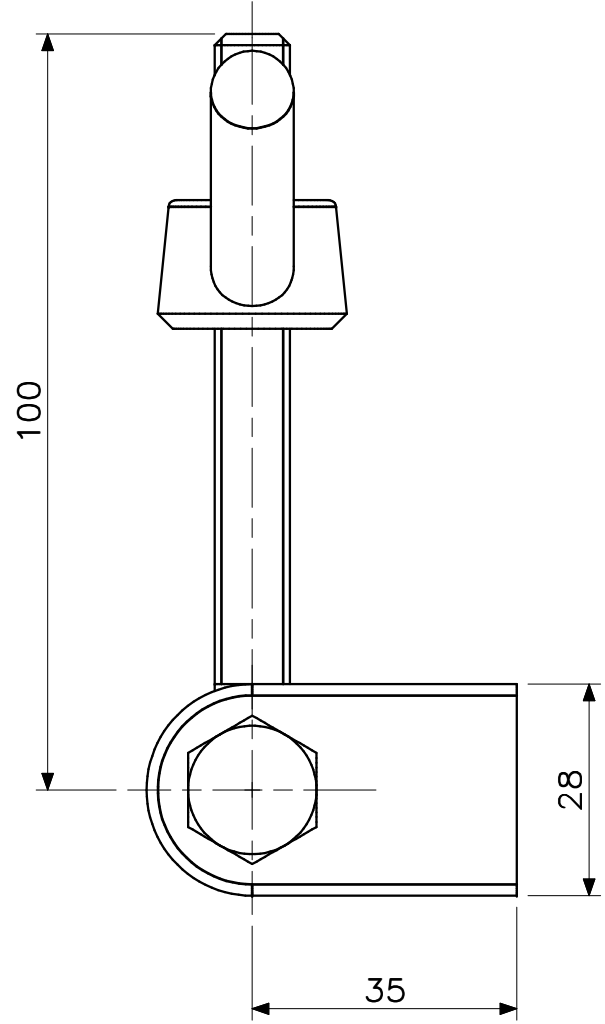
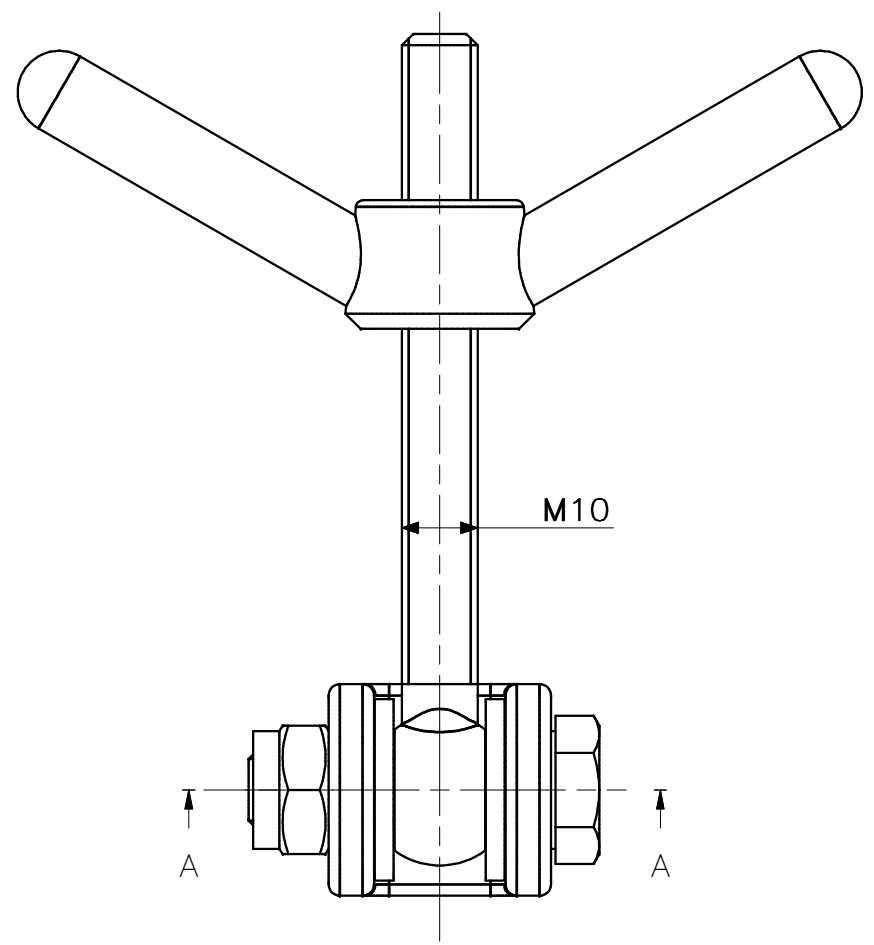
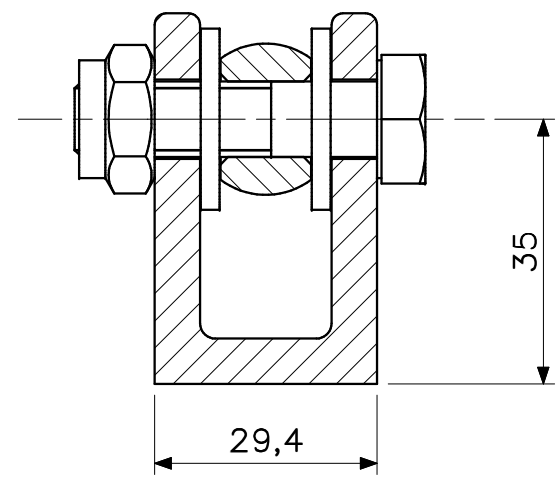

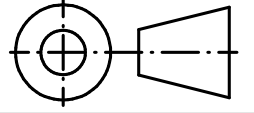


This drawing and design is protected by copyright and the information is confidential. It is also protected and registered under Dutch laws through the Dutch government department for taxes. The drawing and/or models may not be copied, reproduced, duplicated or disclosed to others, in whole or in part without prior written consent of Rob Snel B.V./the Netherlands



3D-IMPRESSION - EXPLODED VIEW



3	1	TOGGLE M10 MESSING	Messing	M10	10.BR.211.00
2	1	EYE BOLT M10x100 STAINLESS STEEL	Stainless Steel	M10x100	10.SS.310.18
1	1	Fixation Set	Stainless Steel		10.SS.315.51
POS	QTY	TITLE	MATERIAL	DIMENSION	DWG NR
C					
B					
A					
Rev.:		REV. DATE:	REVISION SUBJECT		
Date:	13-9-2021	 Rob Snel Technische Groothandel Industrieweg 39 3361 HJ Sliedrecht T +31 (0)184 43 30 30 F +31 (0)184 43 30 31 E s.snel@robsnel.nl I www.robsnel.nl			Art.nr:
Drawn:	Hans Baars				Projection type:
Scale:	1:1				
Status:	Pending				
Cust.:					
Project:		Title: Assembly M10 Toggle nut - Eye bolt - Fixation set			
Mat:	Dwg.nr:	10.SS.022.10	Revision:	Sheet:	Format:
				1	A3